

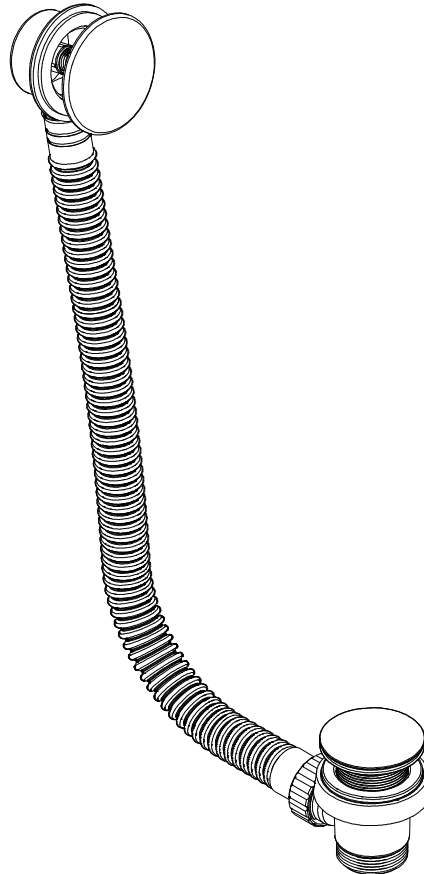
USER MANUAL



Thank you for choosing Better Bathrooms.
Please read this manual before installing your product
and keep for future reference.

better
bathrooms

Product name: Bath waste and overflow



Please note: Image is for illustrative purposes only and may differ slightly to the actual product

- **Single-person assembly**
- **We always recommend using professional tradespeople to install your product**

V1_12.04.2024

Congratulations on your purchase

And welcome to our growing gang of savvy shoppers

We're on a mission to bring you extraordinary bathroom products, for less. From modern to traditional style ceramics, plus the gorgeous fixtures, fittings and furniture to match. So, you can fall in love with your space every single day .

As one of the UK's largest independent bathroom stores, we've received countless awards; including the National Business Awards UK, the Digital Entrepreneur Awards and being placed on The Sunday Times Fast Track 100.

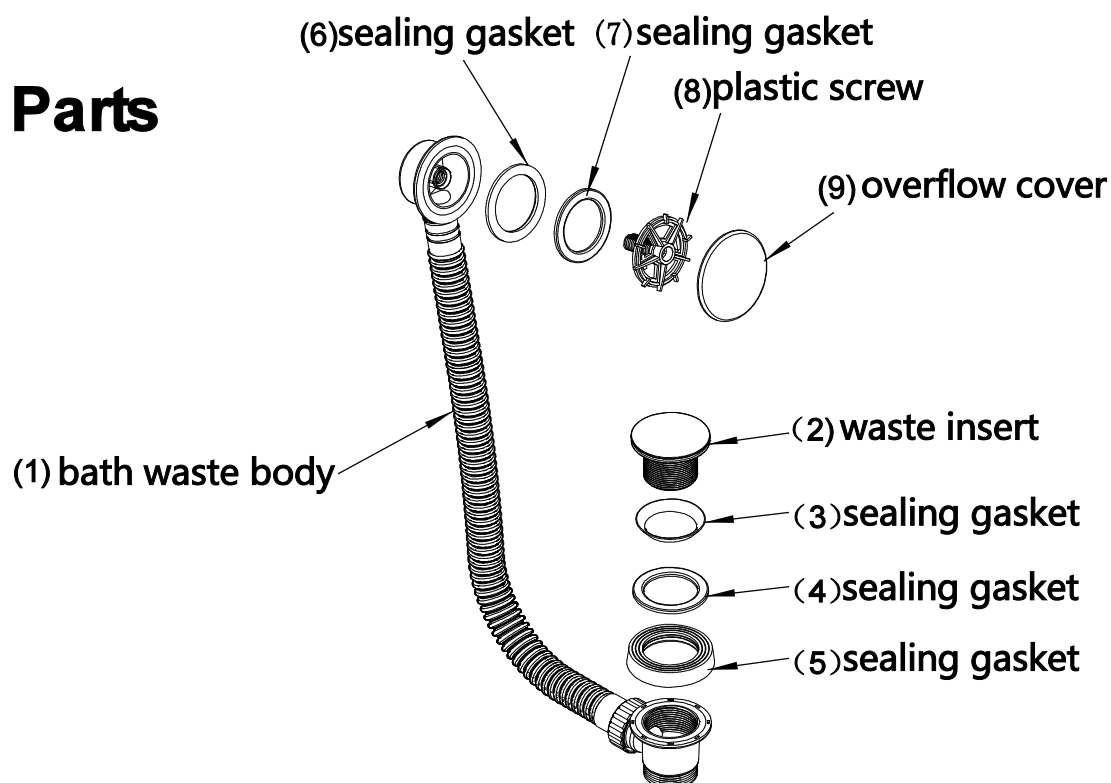
We hope your new product exceeds your highest expectations. However, if you experience any problems, please:

- log in to your account and contact our customer services team via your self-serve portal-betterbathrooms.com/CustomerAccount/Login.
- contact us via-betterbathrooms.com/content/contact-us.

Important information

- Please read these instructions thoroughly and retain for future reference
- Manufactured to EN274 Waste fittings for sanitary appliances

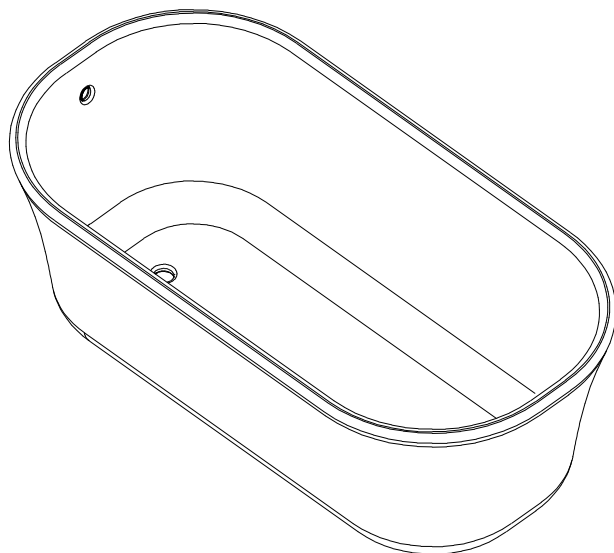
Parts



Please note that Parts are for illustrative purposes only and may differ slightly to the actual product

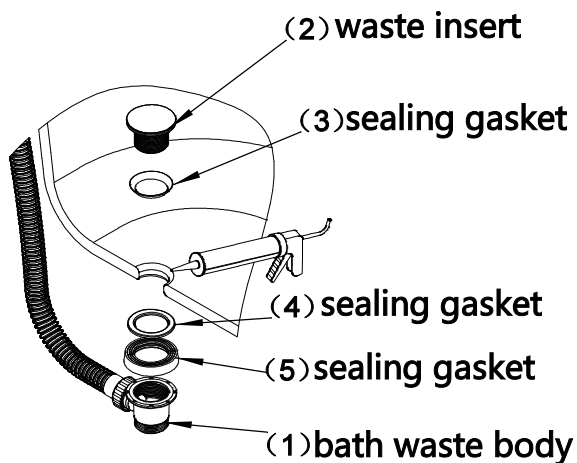
Installation

1. Place the bath tub on a shelf for installing waste.



2. Installation for drainage part

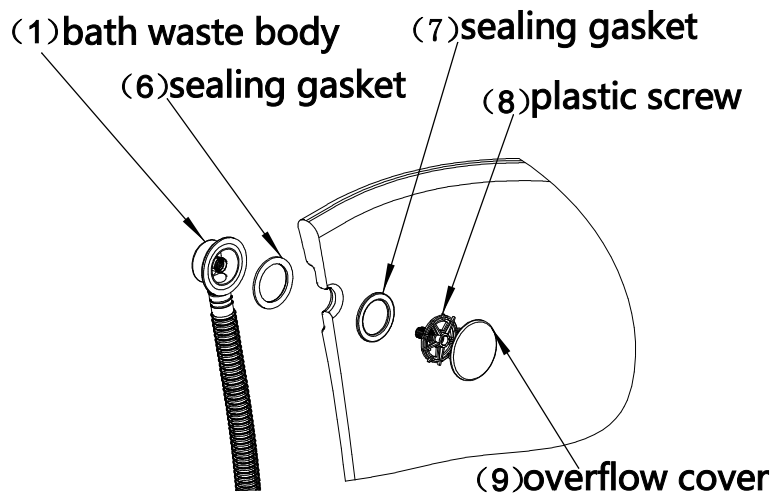
Fit the sealing gasket (4) and (5) on the waste body (1), then insert the waste body to the underside of bath; fit the sealing gasket (3) to the waste insert (2), then thread the that into the waste body through the outlet hole of the bath and tight it



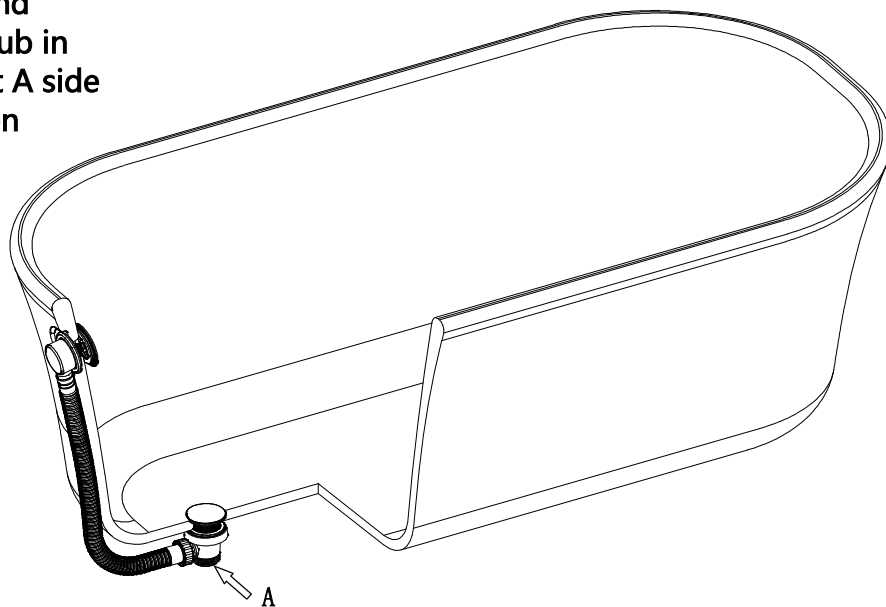
Silicone can also be used during the installation.

3. Installation for overflow part

Press the waste body(1) and gasket(6) on the outside of the bathtub overflow hole; then press the sealing gasket (7) on the inside of bathtub overflow hole; thread the plastic screw into the waste body and tight it, fit the overflow cover.



4. fill the bathtub with water and check for leaks. Place the bathtub in the prepared position, connect A side to the drainage pipe. Installation complete



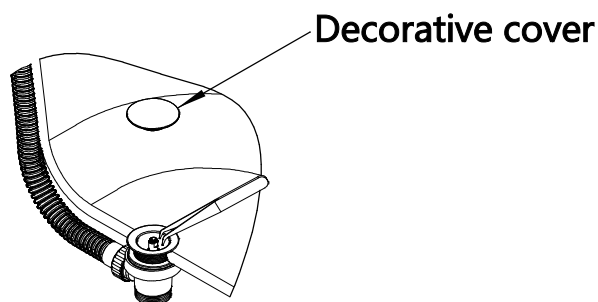
Troubleshooting

1. Poor drainage

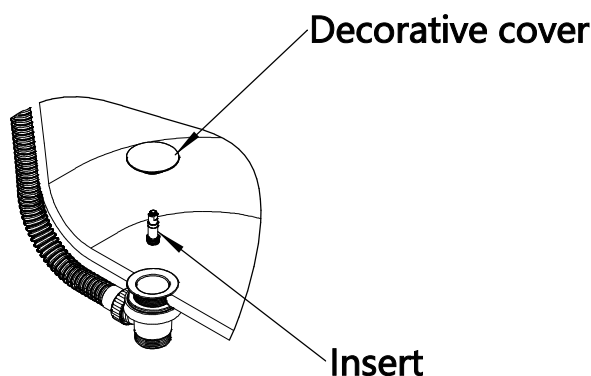
2. Click-clack functional failure

Maintenance

- The poor drainage is due to the blockage of dirt, and it is necessary to screw down the decorative cover from waste body, and then remove the dirt from the drainage hole.



- Click-clack functional failure is caused by the insert fault, insert should be replaced. Unscrew the decorative cover from the waste body by hand, then unscrew the insert with a wrench, install a new insert and screw the decorative cover on the insert.



Maintenance

To maintain the surface finish of your product, wipe clean after every use, using a clean damp cloth, a mild detergent mixture can be used. Do not use abrasive cleaning agents or materials on the product surface.

If any harsh chemicals come into contact with the surface of the product during bathroom cleaning, rinse off immediately, wipe clean and dry

For more information

- visit betterbathrooms.com
- email customerservices@buyitdirect.co.uk
- call 03303903062
- write to Trident Business Park, Neptune Way, Huddersfield, HD2 1UA

**better
bathrooms**

Part of the BuyItDirect Group